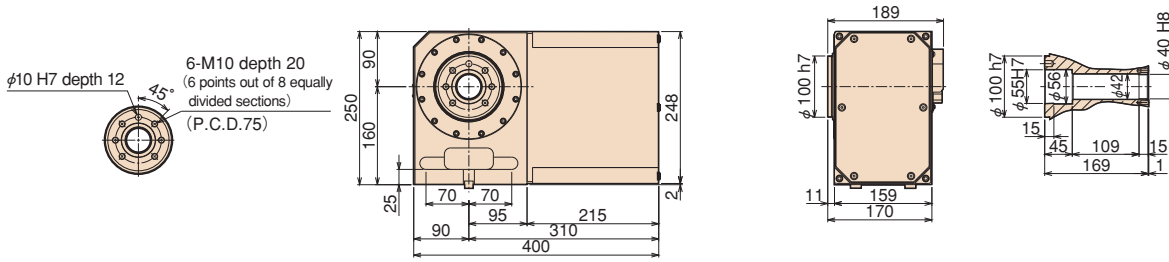


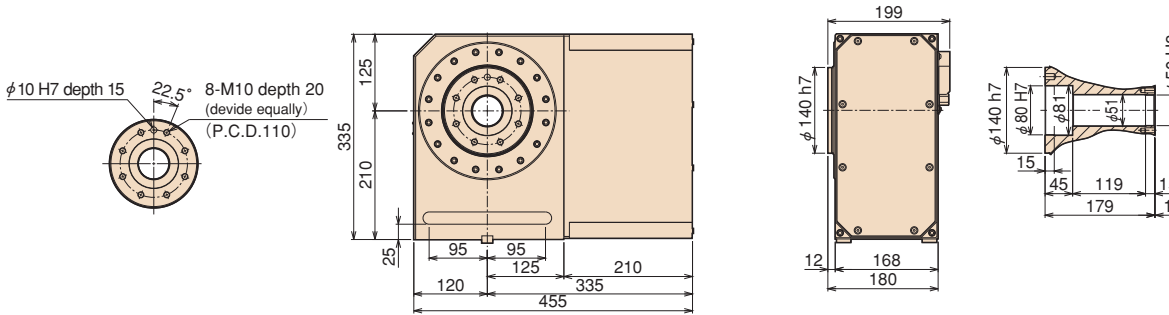
Dimensions

Unit:mm

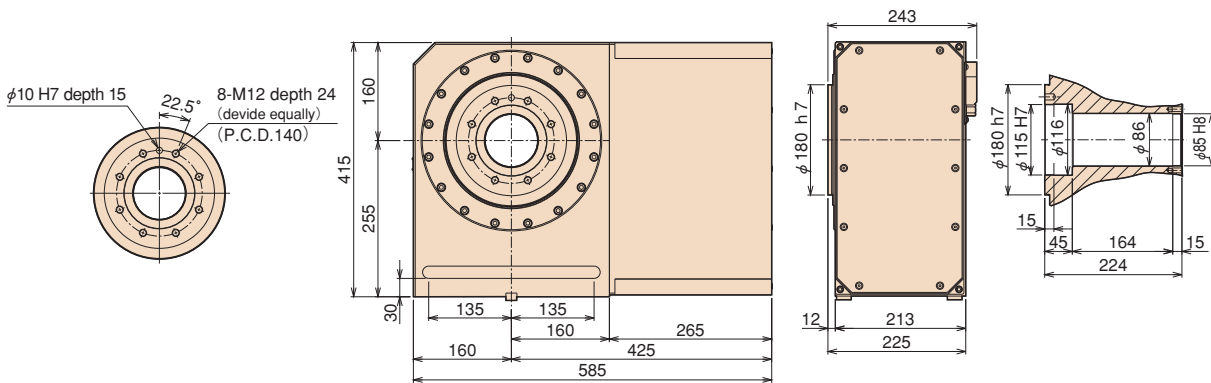
RBS-160



RBS-250



RBS-320



Note: The above dimensions are for FANUC servo motors. The dimensions of servo motors of other manufacturers may be larger.

- RBS**
- TBS
- RWE/RWA
RN
- RWE/RWA-B
RNCV-B
- RNCM
- RWB
- RWB-K
RNCK
- RCH
RNC
- RCV
RNCV
- Multi-Spindle
RN-N
- TWA/TN
- TTNC
- THNC
- Multi-Spindle
TTNC-N
- RDS
- RTV
RTT
- RCB
- NC Controllers
- Accessories
- Options
- Technical Information

Clamping block and bolt

Unit: mm

	Q'ty	T-slot pitch	T-slot width	A	B	C	D	E	F	G	H	I	J	K	L	M
RBS-160	2	—	14	—	—	—	—	—	—	—	17	8	60	—	23	12
RBS-250	4	40~120	18	25	12	80	12	33	35	22	21	11	65	40	28	16
RBS-320	4	55~147	18	30	15	90	16	31	43	25	21	11	70	46	28	16

Note 1: When using a machine with a T-slot pitch other than the above, use suitable clamping blocks and bolts that are available on the market, or order custom-made ones from TSUDAKOMA. (Option)

Type I

