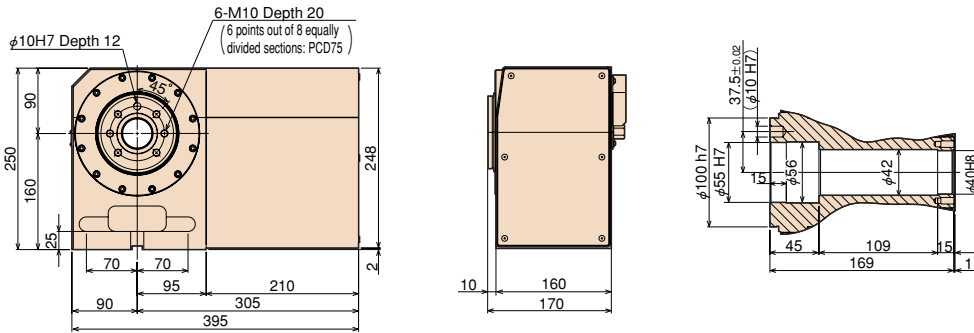


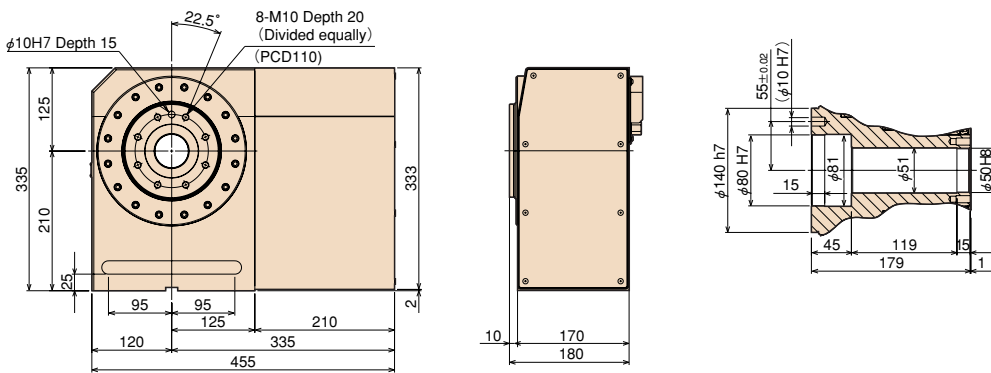
Dimensions

Unit: mm

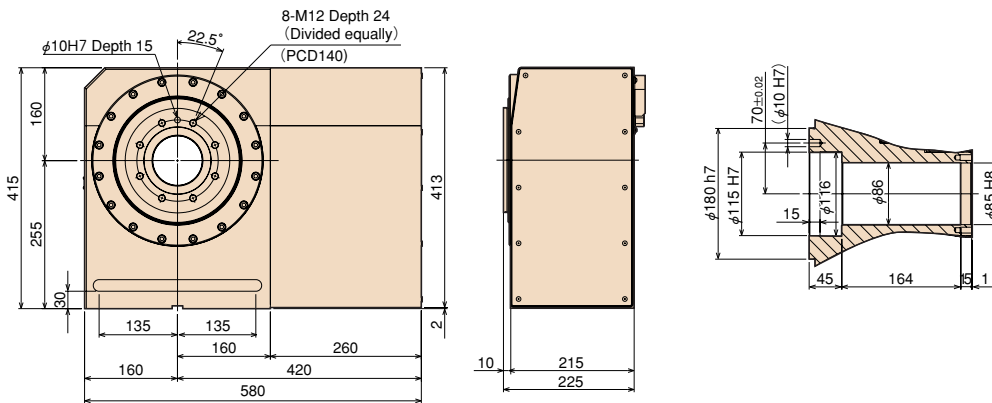
RG-160R



RG-250



RG-320



Note: The above dimensions are for FANUC servo motors. The dimensions of servo motors of other manufacturers may be larger.

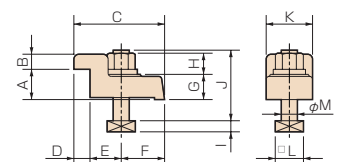
Clamping block and bolt

Unit: mm

	Q'ty	T-slot pitch	T-slot width	A	B	C	D	E	F	G	H	I	J	K	L	M
RG-160	2	-	14	-	-	-	-	-	-	17	8	60	-	23	12	
RG-250	4	40~120	18	25	12	80	12	33	35	22	21	11	65	40	28	16
RG-320	4	55~147	18	30	15	90	16	31	43	25	21	11	70	46	28	16

Note 1: When using a machine with a T-slot pitch other than the above, use suitable clamping blocks and bolts that are available on the market, or order custom-made ones from TSUDAKOMA. (Optional)

Type I



RG

RNA RN

RNE

RNA-B RNCV-B

RNCM

RBA

RBA-K RNC

RCH RNC

RCV RNCV

Multi-Spindle RN-N

RZ

TN

TTNC

THNC

Multi-Spindle TTNC-N

RC RH

RUA

TSUA

RTV RTT

NC Controllers

Accessories

Options

Technical Information