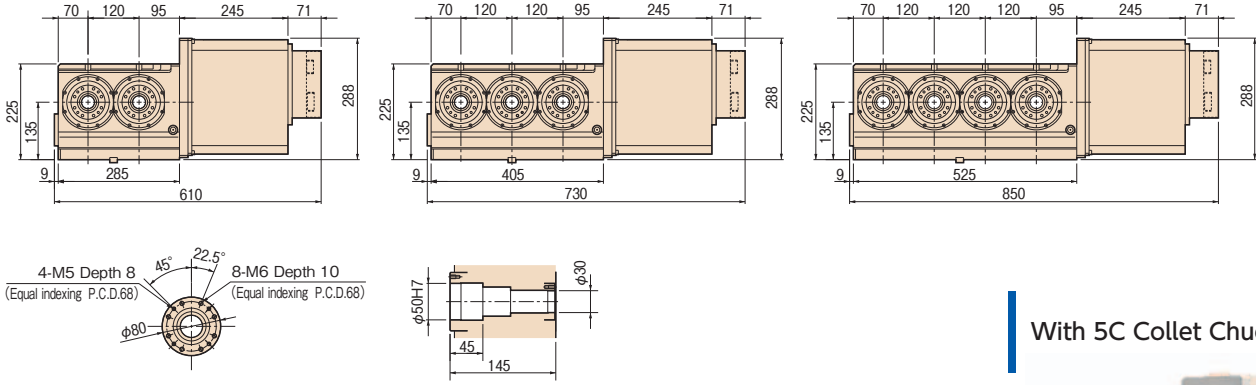


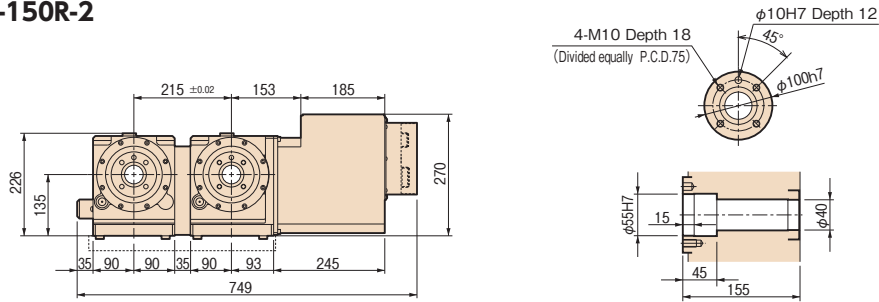
Dimensions

Unit: mm

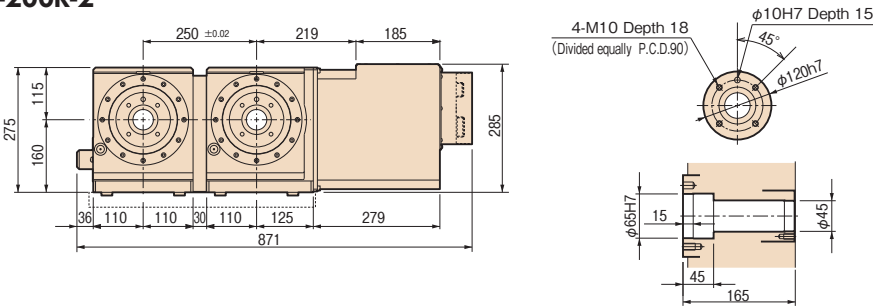
RN-100R-2/3/4



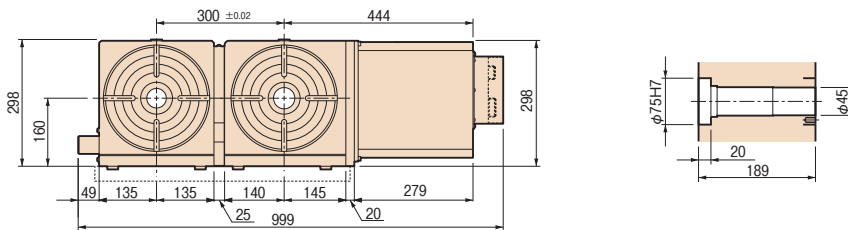
RN-150R-2



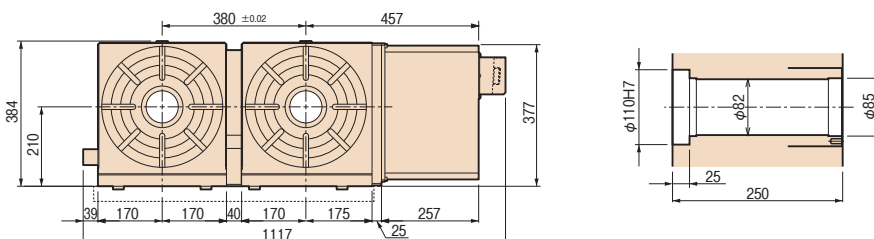
RN-200R-2



RN-250R-2



RN-300R-2



Note: The above dimensions are for FANUC servo motors. The dimensions of servo motors of other manufacturers may be larger.

With 5C Collet Chuck



With Rotary Joint

P.63



RBS

TBS

RWE/RWA
RN

RWE/RWA-B
RNCV-B

RNCM

RWB

RWB-K
RNK

RCH
RNC

RCV
RNCV

Multi-Spindle
RN-N

TWA/TN

TTNC

THNC

Multi-Spindle
TTNC-N

RDS

RTV
RTT

RCB

NC Controllers

Accessories

Options

Technical
Information