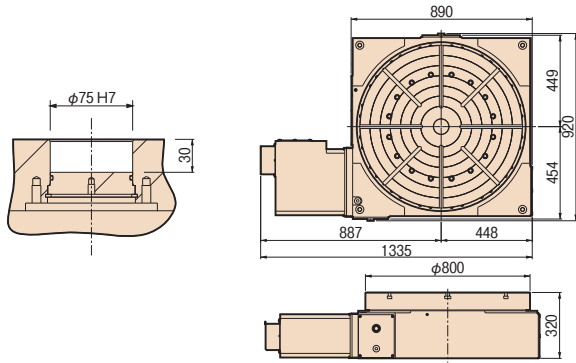


Dimensions

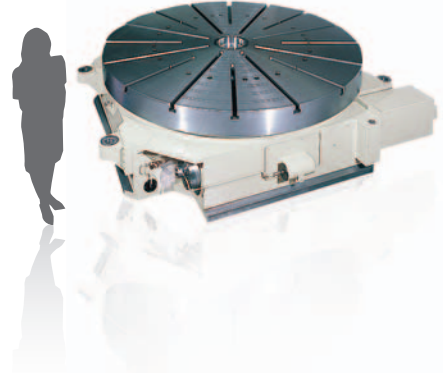
Unit: mm

RCH-800

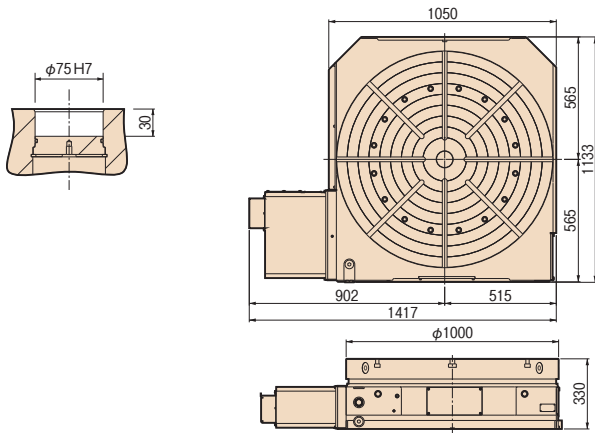


RNC-2001

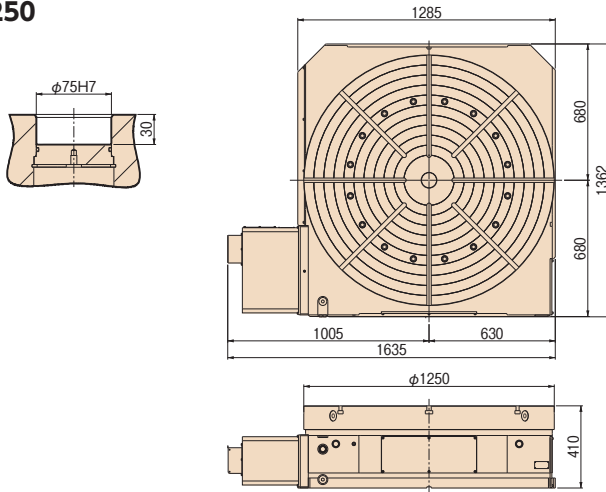
Large NC rotary table with a diameter of 2,000mm. Used for the position detecting device for controlling the posture of artificial satellites and other devices.
Indexing accuracy: ±3 sec
Minimal angular indication: 0.5 sec



RCH-1000



RCH-1250



Note: The above dimensions are for FANUC servo motors. The dimensions of servo motors of other manufacturers may be larger.

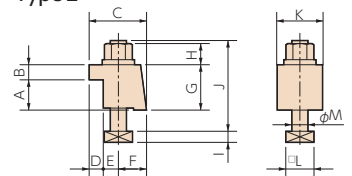
Clamping block and bolt

Unit: mm

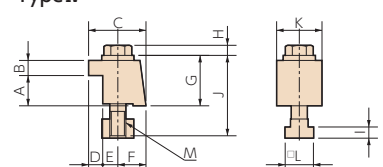
	Type	Q'ty	T-slot pitch	T-slot width	A	B	C	D	E	F	G	H	I	J	K	L	M
RCH-800	II	4	80~400	22	40	20	85	24	20	41	60	27	13	115	80	32	20
RCH-1000	II	4~8	80~320	22	40	20	85	24	20	41	60	27	13	115	80	32	20
RCH-1250	II	4~8	80~450	22	50	20	74	20	18	36	70	27	13	130	70	32	20
RNC-1501	IV	4~8	80~255	28	50	20	74	20	18	36	77	15	17.5	120	70	41.3	24

Note: When using a machine with a T-slot pitch other than the above, use suitable clamping blocks and bolts that are available on the market, or order custom-made ones from TSUDAKOMA. (Option)

Type II



Type IV



RBS

TBS

RWE/RWA
RN

RWE/RWA-B
RNCV-B

RNCM

RWB

RWB-K
RNCK

RCH
RNC

RCV
RNCV

Multi-Spindle
RN-N

TWA/TN

TTNC

THNC

Multi-Spindle
TTNC-N

RDS

RTV
RTT

RCB

NC Controllers

Accessories

Options

Technical
Information