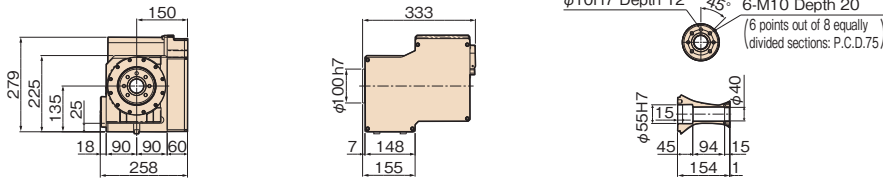


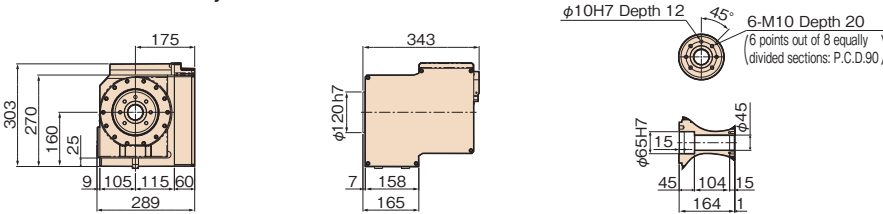
Dimensions

Unit: mm

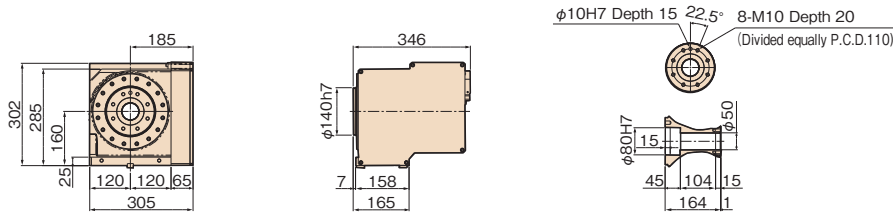
RWE/RWA-160R,B



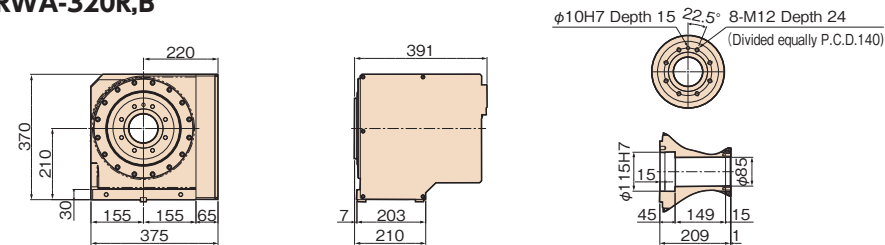
RWE/RWA-200R,B



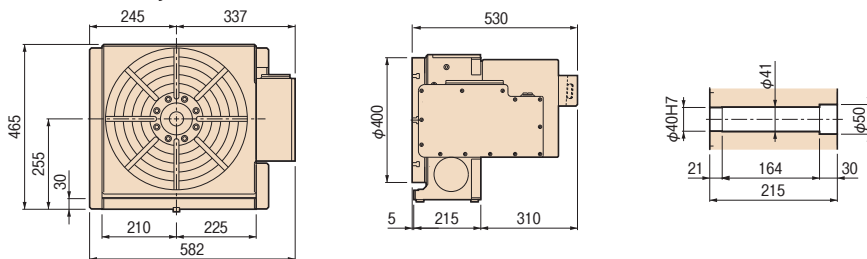
RWA-250R,B



RWA-320R,B



RNCV-401R,B



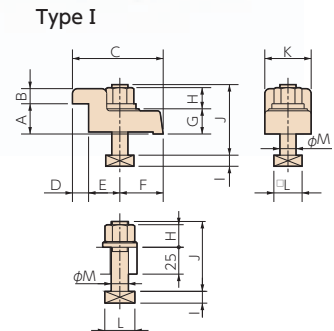
Note: The above dimensions are for FANUC servo motors. The dimensions of servo motors of other manufacturers may be larger.

Clamping block and bolt

	Type	Q'ty	T-slot pitch	T-slot width	A	B	C	D	E	F	G	H	I	J	K	L	M
RWE/RWA-160R,B	—	2	—	14	—	—	—	—	—	—	—	17	8	60	—	23	12
RWE/RWA-200R,B	—	2	—	18	—	—	—	—	—	—	—	21	11	65	—	28	16
RWA-250R,B	I	4	50~100	18	25	12	80	12	33	35	22	21	11	65	40	28	16
RWA-320R,B	I	4	50~132	18	30	15	90	16	31	43	25	21	11	70	46	28	16
RNCV-401R,B	I	4	55~155	18	30	15	90	16	31	43	25	21	11	70	46	28	16

Note 1: When using a machine with a T-slot pitch other than the above, use suitable clamping blocks and bolts that are available on the market, or order custom-made ones from TSUDAKOMA. (Option)

Note 2: Clamping blocks are not included in the RWE/RWA-160R,B and RWE/RWA-200R,B.



- RBS
- TBS
- RWE/RWA-RN
- RWE/RWA-B RNCV-B
- RNCM
- RWB
- RWB-K RNCK
- RCH RNC
- RCV RNCV
- Multi-Spindle RN-N
- TWA/TN
- TTNC
- THNC
- Multi-Spindle TTNC-N
- RDS
- RTV RTT
- RCB
- NC Controllers
- Accessories
- Options
- Technical Information