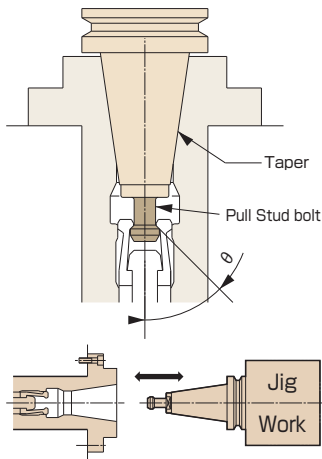


Pull Stud

A unit to position and fix a fixture and a workpiece on the rotary table by using the taper shank with a pull stud. This unit can be combined with a robot or a work loader to create an unmanned machining system.



Applicable models and specifications

Unit: mm

Order Code	Taper shank	Order Code	Taper shank
RWB-250	BT-50	TWA-160	BT-40
RWB-320		TWS-500	
RWB-400		TWA-200	BT-50
RWB-500		TBS-250	BT-40
		TWB-320	

Specify the pull stud type.

Taper	Pull stud type	
BT-50	θ	
BT-40	45°	I
	60°	II
	90°	Others

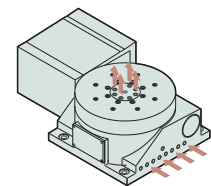
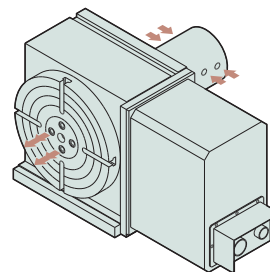
* With clamp/unclamp confirmation switch

Rotary Joint

A rotary joint unit to supply hydraulic or pneumatic pressure to workpieces or actuators mounted on the rotary tables. Automatic loading and unloading of workpieces are possible.

External mount type

Internal mount type



Example of use



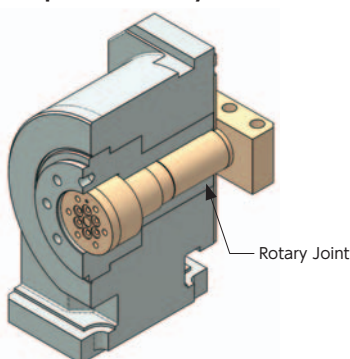
Applicable models and specifications

Order Code	Size	Max. number of ports		Rated supplied pressure MPa
		Internal mount type	External mount type	
RBS/RBH/ RWE/RWA/RWH RBM/RWM	160/200/250/320	6	6+1	Standard:6.9 High pressure:21.0
RWB	250	10+1	—	
	320	12+1	—	
	400/500/630	16+1	—	
RDS	200	6	—	
TBS/TWA/TWS	130/160/200/250/500	6	—	
TWB	320	8+1	—	
	630/1000	12+1	—	
TWM	100	3	—	
	160/250	6	—	

*Please contact us for models not listed.

*The maximum number of ports "6" are all Compact Rotary Joints with a maximum input pressure of 21 MPa.

Compact Rotary Joint



[Specifications]

Max. number of ports: 6 port

Rated supplied pressure: 21.0MPa

[Applicable models]

Compatible with models with center hole $\Phi 40$ mm (through hole) or larger.

RBS/RBH/RBM, RWE/RWA/RWH/RWM, TBS, TWA/TWS/TWM series, SS/SE/SH series.

*Please contact us for more information about TWM.