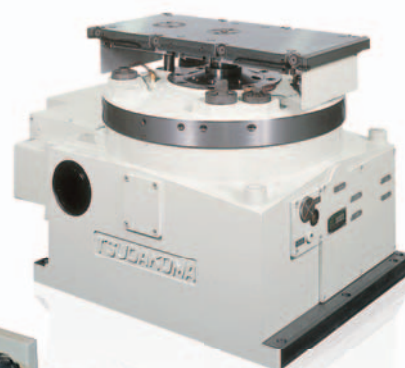
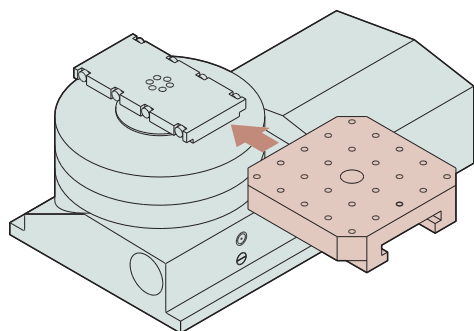


Pallet Clamp

An NC rotary table with a built-in pallet clamp is available. This type of rotary table enables fast and highly accurate positioning of workpieces at any angle. Attachment of an auto-coupler makes it possible to apply hydraulic or pneumatic pressure to the top surface of pallets. By combining with a pallet-changer, setup, transfer and exchange can be carried out automatically.



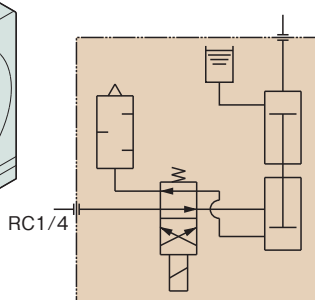
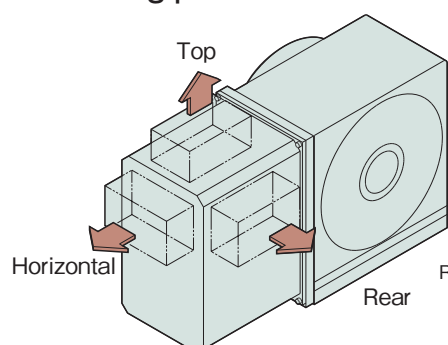
Air-hydraulic Booster

Air-hydraulic boosters are available for machines without a hydraulic source, which convert pneumatic pressure into hydraulic pressure for clamping.

Type	Applicable model	Dimensions	
TB-80	RWB-250 RWB-250 + SSB-160 RWB-320 RWB-400 RCB-350 RCB-450 TWB-320		
	TB-100	RWB-320 + SSB-210 RWB-400 + SSB-255 RWB-500 RWB-500 + SSB-310 RWB-630 RWB-630 + SSB-310 RCB-550 TWB-630	

Type	Applicable model	Dimensions
TB-115	RCH/RCV-800 RCH/RCV-1000 RCH/RCV-1250	

Mounting position



Please specify the following items:

1. Mounting position of the Air-hydraulic booster
2. Control voltage for the solenoid of the Air-hydraulic unit: 100VAC or 24VDC (This voltage depends on the machine to be attached)

- RBS
- RBH
- RBM
- TBS
- RWE/RWA
RN
- RWH
- RWA-B
- RWB
- RWB-K
- RCB
- RCH
- RCV
- Multi-Spindle
RWM
- TWA/TN
- TWS
- TWB
- Multi-Spindle
TWM
- RDS
- TDS
TDB
- NC
Controllers
- Accessories
- Options
- Technical
Information